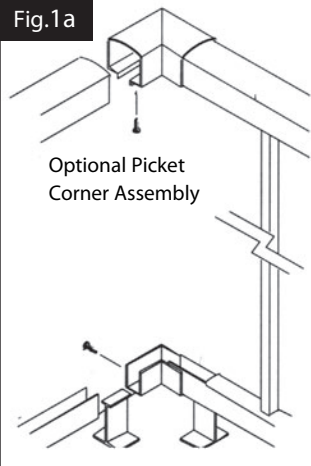
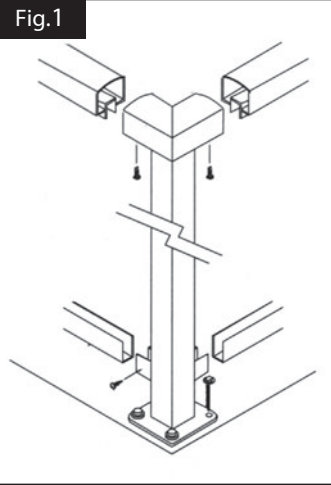


## STEP 1 GETTING STARTED

Locate posts as required with the bottom plate 1/2" from the edge of the deck (a greater distance from edge may be required on some decks so that post anchoring screws can attach to solid wood under deck surface). (see Fig. 1)



### APPROXIMATE POSTSPACING

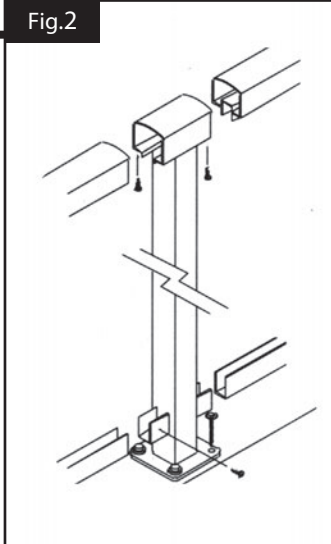
Picket approximately 6' - 8'  
Glass approximately 4' - 6'

Consult manufacturer for layout and design recommendations for engineered installations. Additional fees will apply.

## STEP 2

Install Posts at this time with only 1 long hex-head screw provided. (see Fig. 1, 2, and 3) This will allow enough movement in post to allow installation of top rail. (see Step 3)

(see also Fig. 1A optional picket corner in place of corner post).



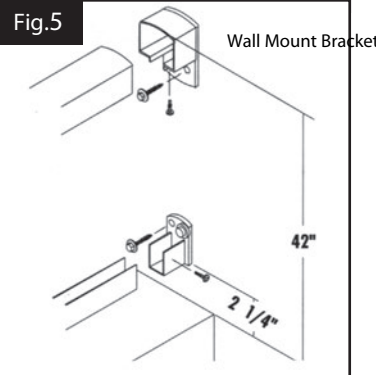
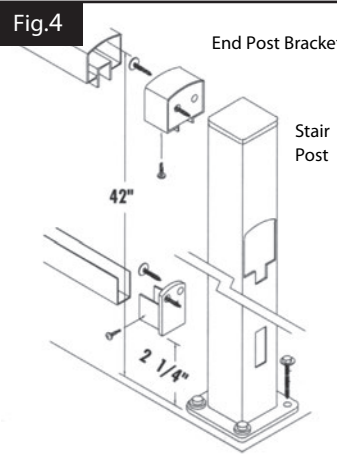
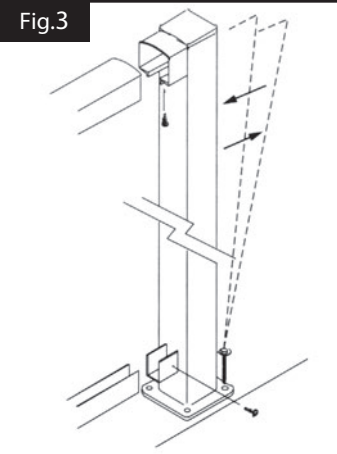
## STEP 3

Install wall or post brackets as required. (See Fig. 4 and Fig. 5)

## STEP 4

Measure distance between posts deduct 1/2" and cut top rail section.

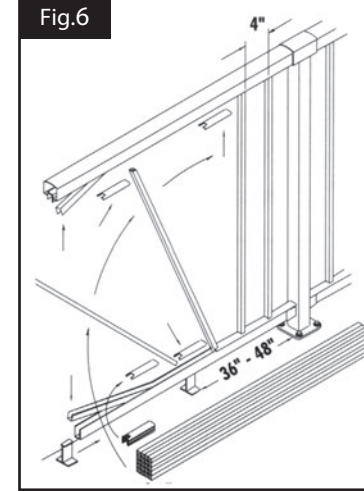
NOTE: top and bottom rail with gasket can be cut at same time. We recommend at this time to drill a 3/16" hole every 2 - 3 ft. in bottom rail to allow water drainage. Install top rail securing one end only using small screws provided with post. At this time check to ensure posts are perpendicular to deck surface, and install remainder of post screws (use exterior silicone "non-corrosive" caulking in screw holes for waterproofing) Secure other end of top rail. Install bottom rail with legs in rough position, approximately every 36"- 48" (see fig. 6) Secure both ends using small screws provided with post. Space bottom rail legs evenly between posts and secure with long hex-head screws. Repeat procedure every section.



## STEP 5A PICKET INSTALLATION

Starting at one end of a section, snap spacer over top and bottom openings (use rubber mallet as necessary). Install picket as per Fig. 6 and repeat procedure until last 4 pickets are left. Install remaining pickets as a group (without spacers) in between and spread out and snap in remaining spacers.

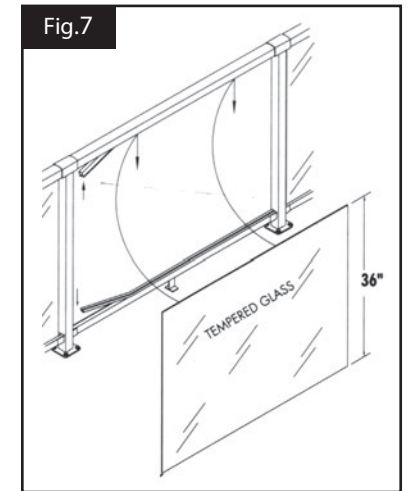
NOTE: the last spacer will likely have to be cut to size. Also Note: Picket Spacing should not exceed 4".



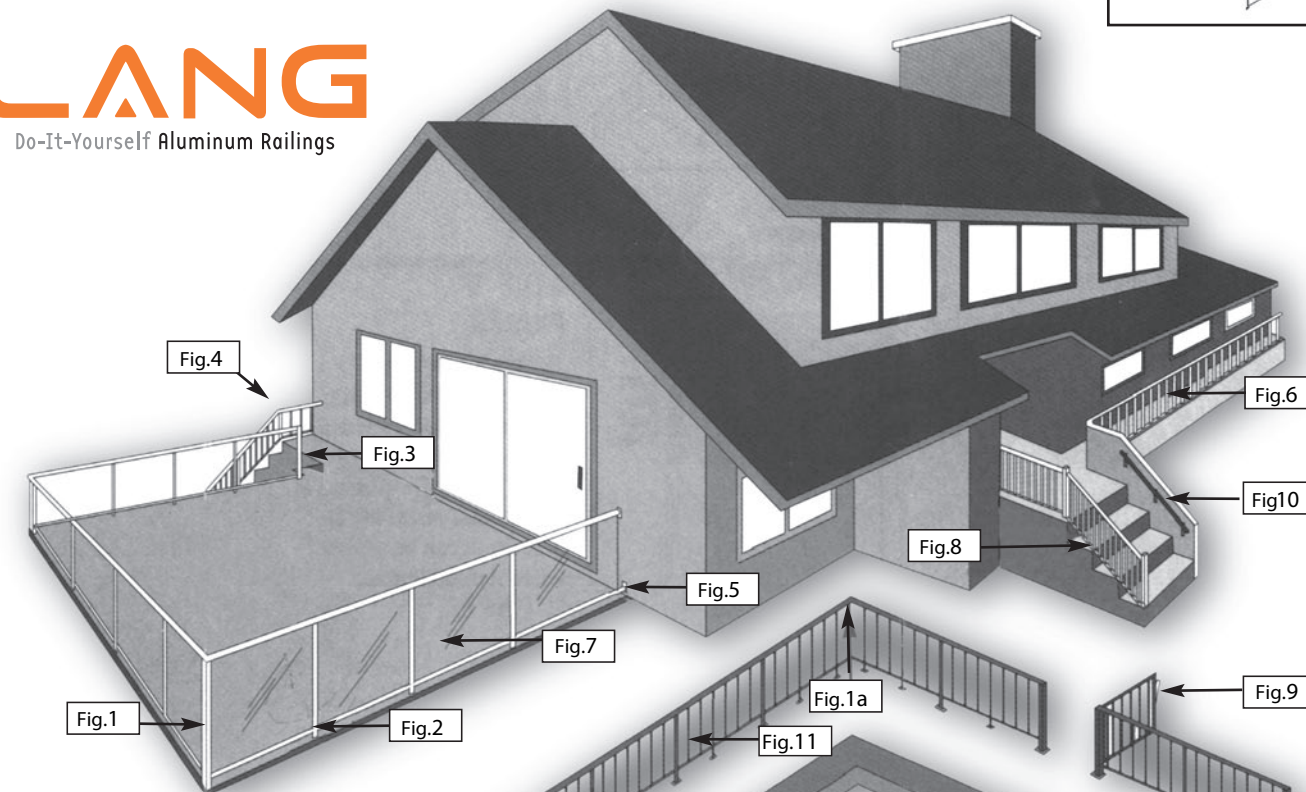
## STEP 5B GLASS INSTALLATION

Replace pre-installed picket gasket with glass gasket in both top and bottom rails. Install the larger of the two gaskets in the top rail and the smaller in the bottom. When placing the glass panels into position, first place top edge of glass into the top rail gasket, then swing bottom edge of glass into bottom rail gasket and slide downward (see Fig. 7)

NOTE: Recommended width of glass panel sizes should be 2" less than the distance between the posts for ease of installation. Glass thickness must be 5mm (1/4" in U.S.) and tempered as per building code.



**LANG**  
Do-It-Yourself Aluminum Railings

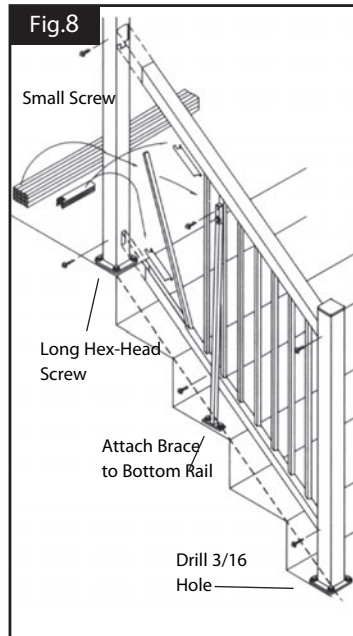


## STEP 6 STAIR INSTALLATION

Install top post at edge of deck(see Fig. 8) Install bottom post so that when bottom rail is placed in the holes provided, there is a consistent space between underside of bottom rail and edge of stairs. Place top and bottom rails into the holes provided in the posts. Secure bottom rail with long hex-head screw and top rail with small screws provided with posts.

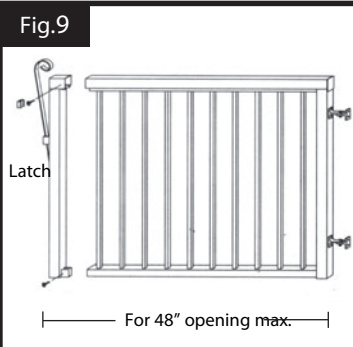
NOTE: The top and bottom rails should go inside the top and bottom posts by 1 1/2". Install stair pickets in same manner as in STEP 5A. If desired or the length of the stair requires, install a brace(or braces)approximately every 48" - 60". ie. A 10' stair length should have at least one brace in the middle. (see Fig. 8)

NOTE: Drill 3/16" hole in bottom of posts for water drainage.



## STEP 7 GATE

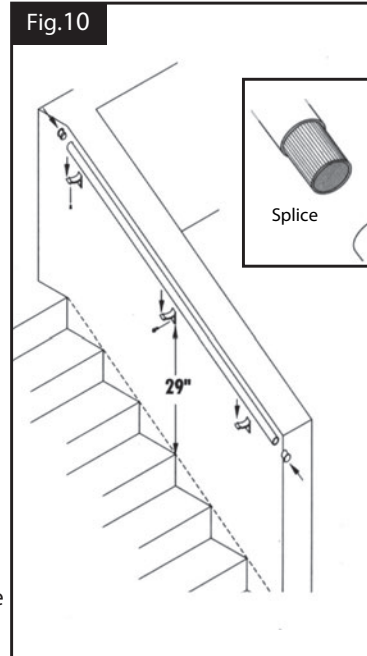
Cut down to meet the required width of your gate opening. Line up top of gate with top of deck railing and attach hinges using the long hex-head screws in hardware kit. Attach latch using small screws provided(Fig. 9)



## STEP 8 HANDRAIL

Mount handrail brackets 29" above the edge of stair to the bottom edge of the bracket. Brackets should be spaced approximately every 48". Attach handrail pipe using small screws provided. Handrail pipe should start and end at the edge of the top and bottom stairs. (See Fig. 10) If handrail needs to be longer than 8ft. it can be lengthened using handrail splice and additional length of handrail pipe.

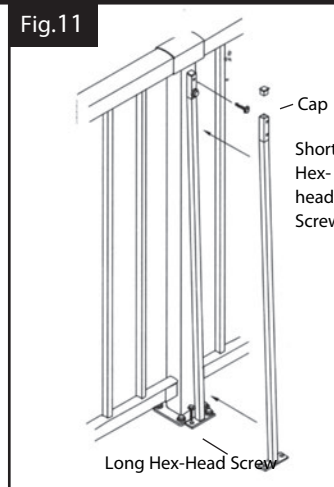
Secure splice on underside of handrail pipe using small screws provided. (See Fig. 10)



## STEP 9 BRACES

The brace (see Fig. 11) can be attached to posts, pickets and stair pickets as necessary. (See Fig. 11 and 8)

NOTE : with stairs a hole should be drilled in brace so it can be attached to the stair bottom rail. (See Fig. 8)



## TOOLS AND MATERIALS REQUIRED

Hacksaw or 10" Mitre Saw with Metal Cutting Blade  
Electric Drill / 1/8" and 3/16" Drill Bits  
3/8" Hex Head Driver / No.2 Robertson Screwdriver  
Measuring Tape / Exterior Caulking (neutral cure)

# Do-It-Yourself Aluminum Railings

**LANG**  
Do-It-Yourself Aluminum Railings

# Lang Railing Installation Instructions

## Stair Installation (Glass Rail)

Step #1: Install top post at the edge of the deck. Install the bottom post so that when the bottom rail is in place in the holes provided, there is a consistent space between the underside of the bottom rail and the edge of the stair. (see Fig. 1).

Step #2: Place the top and bottom rails into the holes provided in the posts. Secure the bottom rail with the long hex-head screws and the top rail with the small screws provided with the posts. **NOTE:** *The top and bottom rails should go inside the top and bottom posts 1 1/2 ".* (see Fig. 2)

Step #3: Replace the pre-installed picket gasket with glass gasket in both the top and bottom rails. Install the larger of the two gaskets in the top rail and the smaller in the bottom. At this time you may want to install pickets into the top and bottom rails, attaching them with the smaller screws provided. These pickets can be used to tie the top and bottom rails together, separate glass panels, and later to install stair braces to. (see Fig. 3g)

Step #4: When placing the glass into position, first place the top edge of the glass into the top rail gasket, then swing the bottom edge of the glass to the bottom rail and slide downward into the bottom rail gasket. (see Fig. 4g) **NOTE:** *Recommended width of glass panel size should be 2" less than the distance between the posts, (or if a picket(s) has been installed in the run, 2" less than between post and picket) for ease of installation. Glass thickness must be 6mm (1/4" in U.S.) and tempered as per building code.*

Step #5: Stair braces can be attached to pickets in the stair to add strength. This is done by securing the brace to the picket with 3 hex-head screws provided with the brace; 2 screws secure the top of the brace to the picket and 1 screw secures the brace to the bottom rail. The brace is attached to the stair tread with the two longer screws also provided with the brace. (see Fig. 5g).

# Lang Railing Installation Instructions

Fig. 1

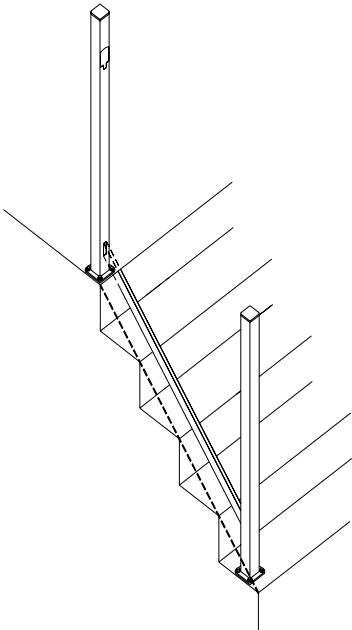


Fig. 2

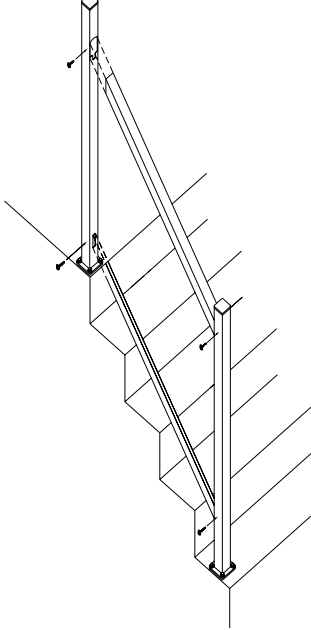
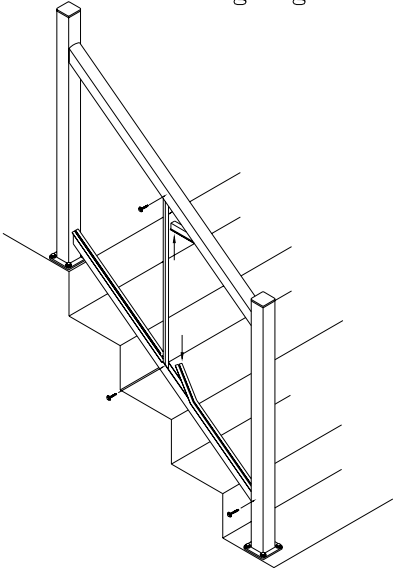
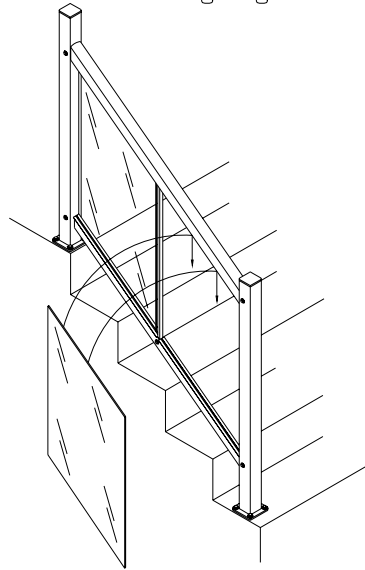


Fig. 3g



# Lang Railing Installation Instructions

Fig. 4g



# Lang Railing Installation Instructions

Fig. 5g

