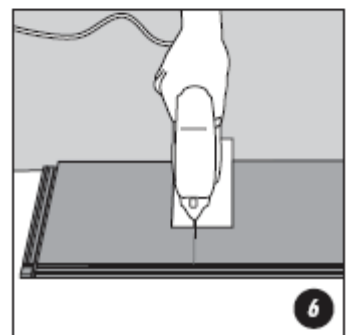
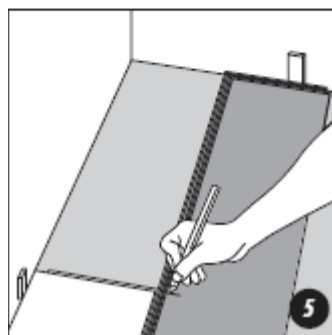
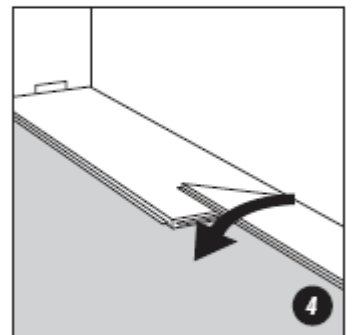
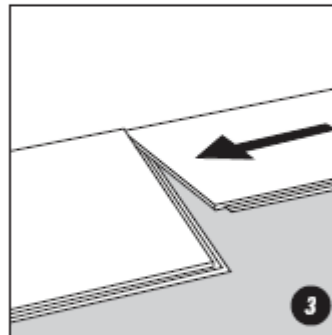
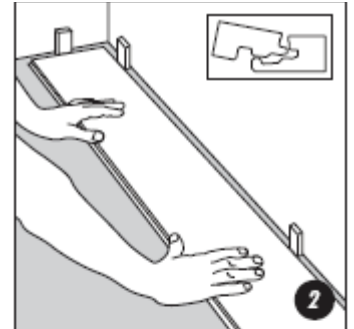
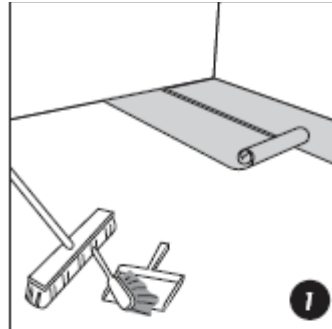


INSTALLATION INSTRUCTIONS

IMPORTANT!

Keep the boards at room temperature for at least 48 hours in unopened package before you start the installation. The room temperature must be at least 64°F before and during installation.

1. **Getting Started:** Check the floor boards and make sure that the surface has no transport damages before you start. After cleaning the subfloor you can roll over the plastic foil and underlay material. The plastic foil has to overlap minimum 8".
2. **First Row:** Start installation of the boards in left-hand corner, tongue-side against the wall. Make sure you are placing the short side of the board 1/4" - 3/8" from the wall. If the wall is uneven, the floorboards must be adapted to its contours.
3. Insert the second tongue in the previous groove. Complete the first row in the same way.
4. Place the final floorboard face down and the short side without the locking strip towards the wall. The distance to the wall must be 1/4" - 3/8".
5. Mark where the floorboard is to be cut.
6. **Cutting the Floorboards:** Place the floorboard face down on the work surface and cut to size using a jig-saw. Use a fine-toothed type if you are using a hand saw. In this case cut the floorboards face up.



INSTALLATION INSTRUCTIONS

IMPORTANT!

Keep the boards at room temperature for at least 48 hours in unopened package before you start the installation. The room temperature must be at least 64°F before and during installation.

7. **Starting the Second Row:** Use a cut piece of board from the previous row to start the next row. This must be at least 12" long. If this piece is too short start with a new board cut in half. Always ensure that the end joints are staggered at least 12".
8. **Continue Laying the Floor:** Place the floorboard at an angle against the floorboard in the previous row, press forward and fold down at the same time.
9. Take a new piece A and slide it into the previous row taking the long side at an angle. Be careful that the short side of piece A slides properly on the short side of piece B. Push it and allow it to fall back.
10. **To Lay the Last Row:** Measure and cut the board. Leave 1/4" - 3/8" to the wall.
11. **Disassembly:** To separate the shelves, raise the entire row and loosen them.
12. Allow the short sides to slide apart.
13. **Holes for Pipes:** Measure the diameter of the pipe and drill a hole that is a minimum 1/2" larger. Saw off a piece as shown in the figure and lay the board in place on the floor. Then lay the sawed-off piece in place.
14. **Door Moldings and Skirtings:** Lay a board (with the decorative side down) next to the door molding and saw as shown in the figure. Then slide the floorboard under the molding.

